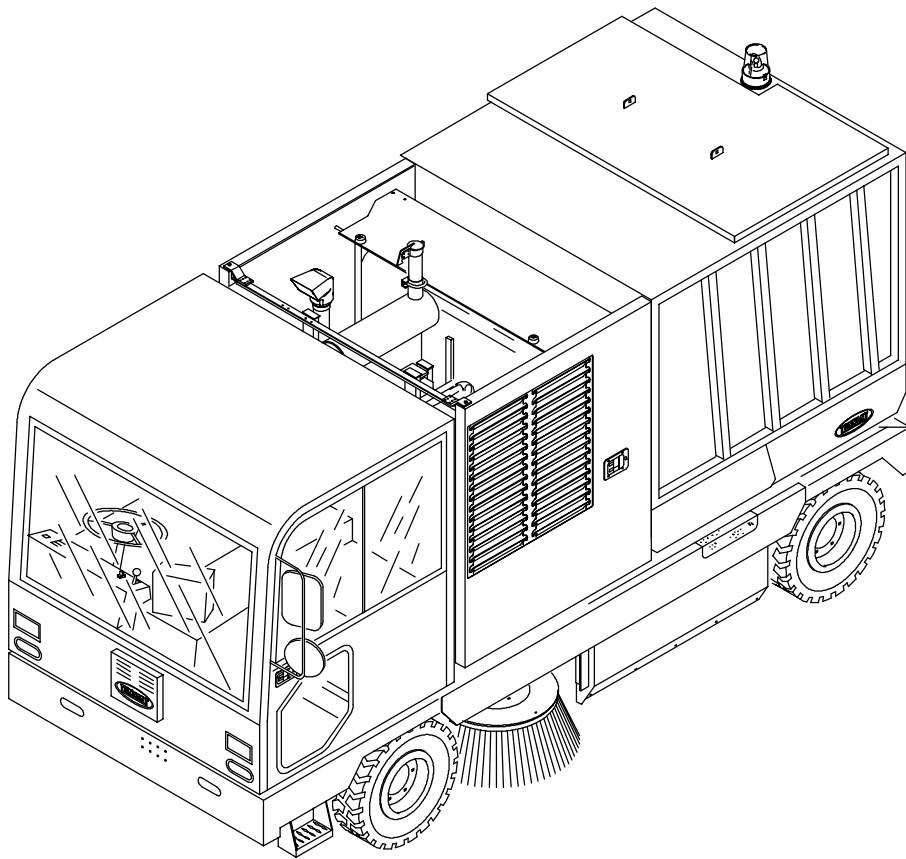




# 830-II

## Cummins 4 Cylinder Engine Breakdown



330492

Rev. 00





This manual is furnished with each new TENNANT Model 830.

This manual consists of the *4 Cylinder Cummins Engine Breakdown*.

**MACHINE DATA**

*Please fill out at time of installation for future reference.*

Machine Model Number - 830-II

Machine Serial Number - \_\_\_\_\_

Machine Options - \_\_\_\_\_

TENNANT Representative/phone no. - \_\_\_\_\_

Customer ID Number - \_\_\_\_\_

Date of Installation - \_\_\_\_\_

Manual Number - 330492

Revision: 00

Published: 11-00

SECTION 8

CONTENTS	PAGE
Fig. 1 - Cummins 4 Cyl. General Recommended Maintenance Items .....	8-3
Fig. 2 - Cummins 4 Cyl. Engine Group .....	8-4
Fig. 3 - Cummins 4 Cyl. Radiator Group .....	8-6
Fig. 4 - Cummins 4 Cyl. Air Cleaner Group .....	8-8
Fig. 5 - Cummins 4 Cyl. Fuel Solenoid Group .....	8-10
Fig. 6 - Cummins 4 Cyl. Hydraulic Hoses and Fittings Group .....	8-11
Fig. 7 - Cummins 4 Cyl. Surge Tank Group .....	8-12
Fig. 8 - Cummins 4 Cyl. Hydraulic Pump Group .....	8-14
Fig. 9 - Cummins 4 Cyl. Muffler Group .....	8-16
Fig. 10 - Cummins 4 Cyl. Battery Group .....	8-18
Fig. 11 - Cummins 4 Cyl. Fuel lines and Throttle Group .....	8-20
Fig. 12 - Cummins 4 Cyl. Documentaion Group .....	8-22

# CUMMINS 4 CYLINDER ENGINE BREAKDOWN

---

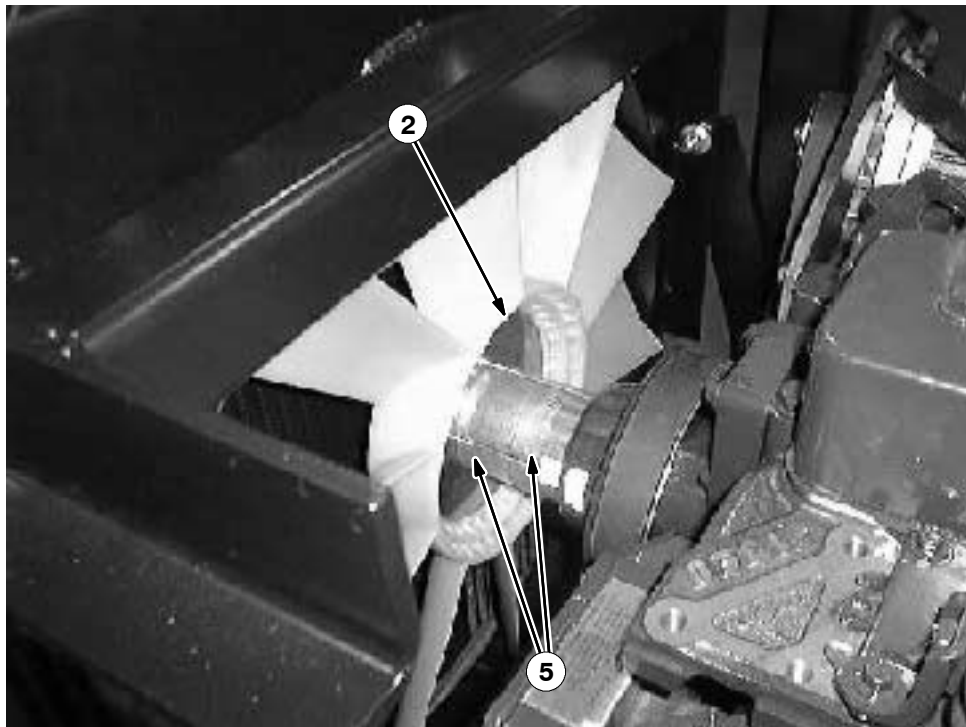
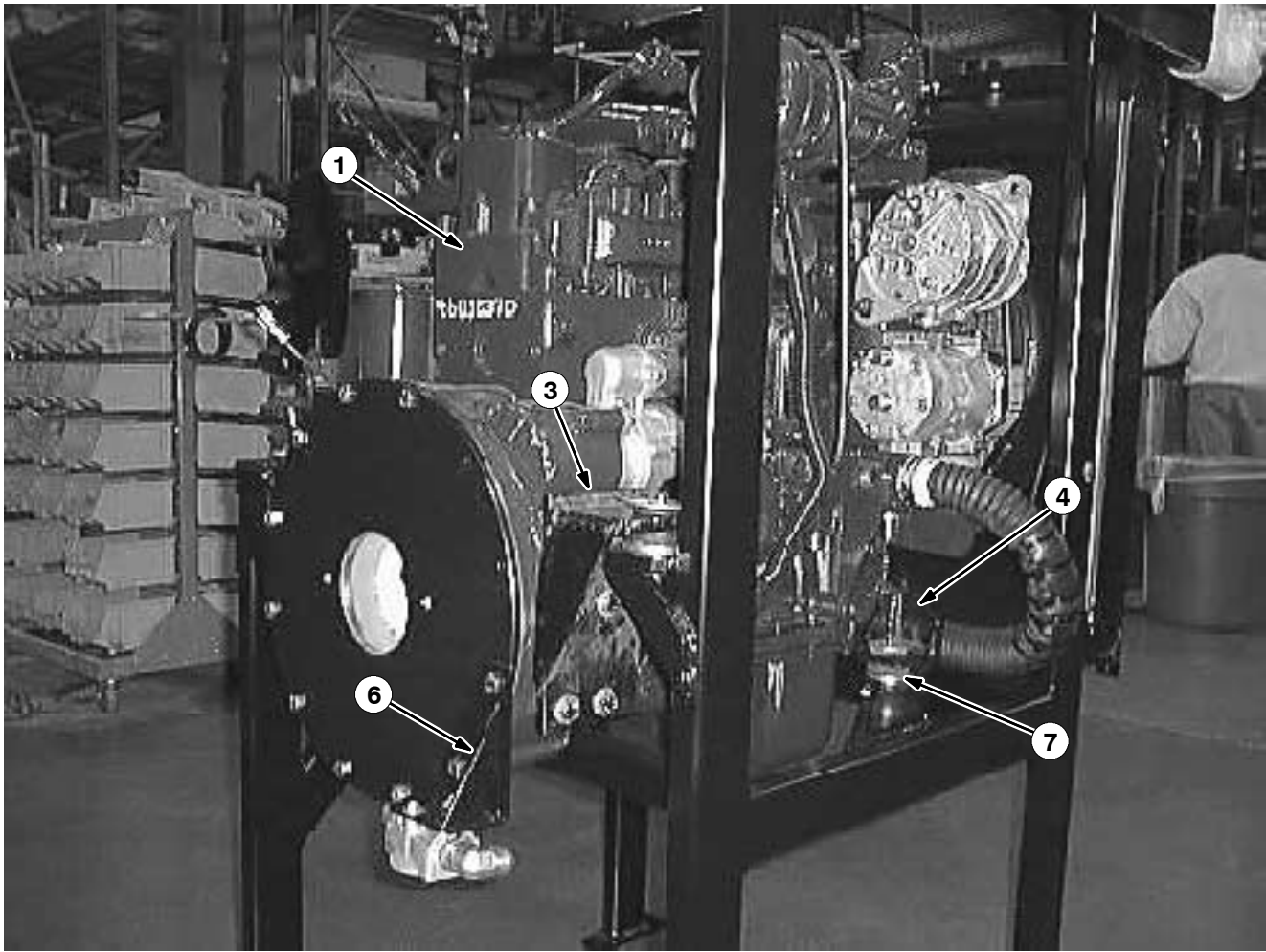
# CUMMINS 4 CYLINDER ENGINE BREAKDOWN

Fig. 1 - Cummins 4 Cyl. General Recommended Maintenance Items

Ref.	Tennant Part No.	Machine Serial Number	Description	Qty.
▽	769082	(000000-	) Kit, Maintenance Parts	1
▲	769786	(000000-	) Filter, Fuel	1
▲	769002	(000000-	) Element, Filter, Engine Oil	1
▲	310653	(000000-	) Filter, Air Cleaner, PRI	1
▲	769003	(000000-	) Belt, Engine	1
▲	310654	(000000-	) Filter, Sec.	1

# CUMMINS 4 CYLINDER ENGINE BREAKDOWN

Fig. 2 - Cummins 4 Cyl. Engine Group



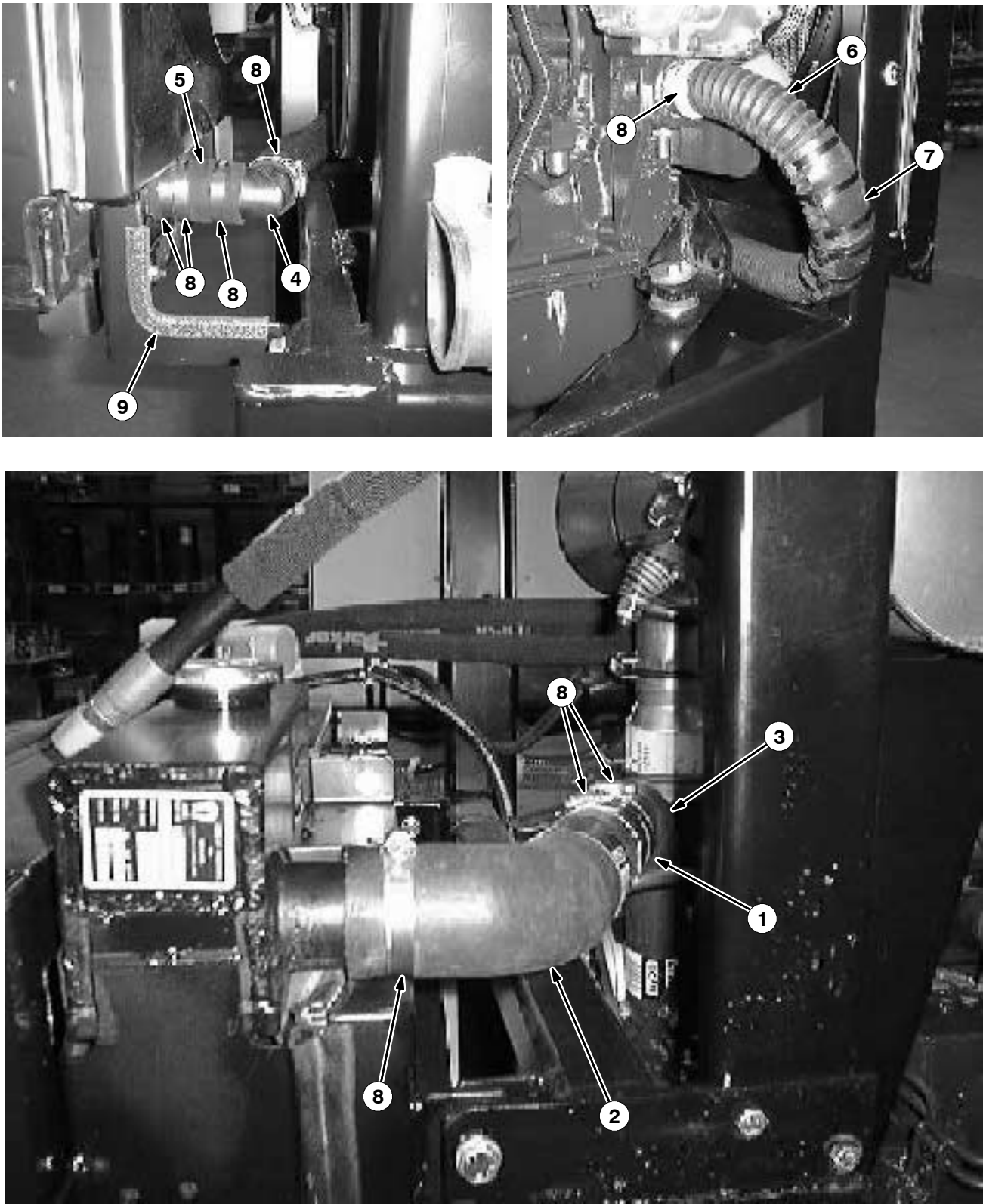
# CUMMINS 4 CYLINDER ENGINE BREAKDOWN

Fig. 2 - Cummins 4 Cyl. Engine Group

Ref.	Tennant Part No.	Machine Serial Number	Description	Qty.
1	769100	(000000-	) Engine, Turbo, Cummins 4 Cyl.	1
2	769743	(000000-	) Fan, Engine	1
3	770618	(000000-	) Bracket Wldt, Engine, Rear Rh	1
4	770614	(000000-	) Bracket Wldt, Engine, Front Rh	1
5	769824	(000000-	) Spacer	2
6	769169	(000000-	) Bracket, Wldt, Hyd Filter	1
7	764014	(000000-	) Isolator	1

# CUMMINS 4 CYLINDER ENGINE BREAKDOWN

Fig. 3 - Cummins 4 Cyl. Radiator Group





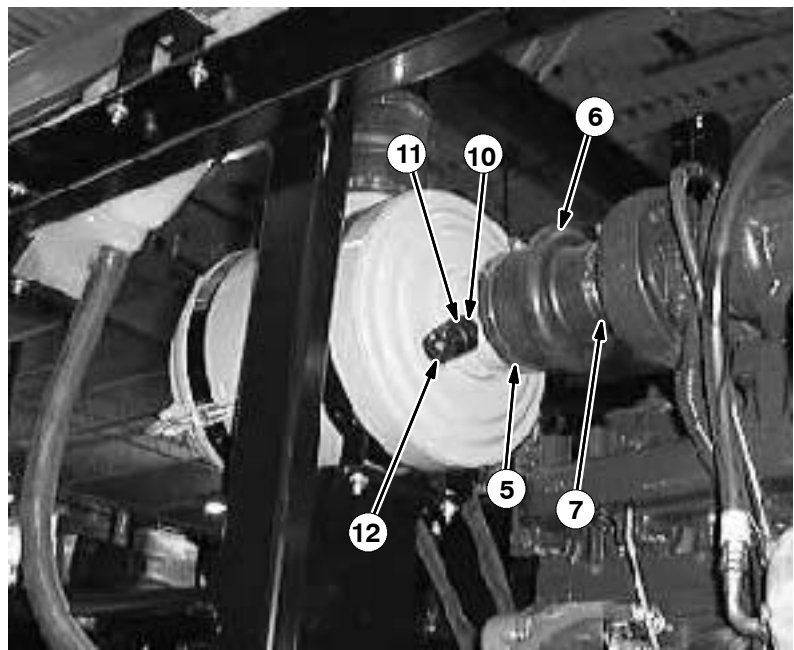
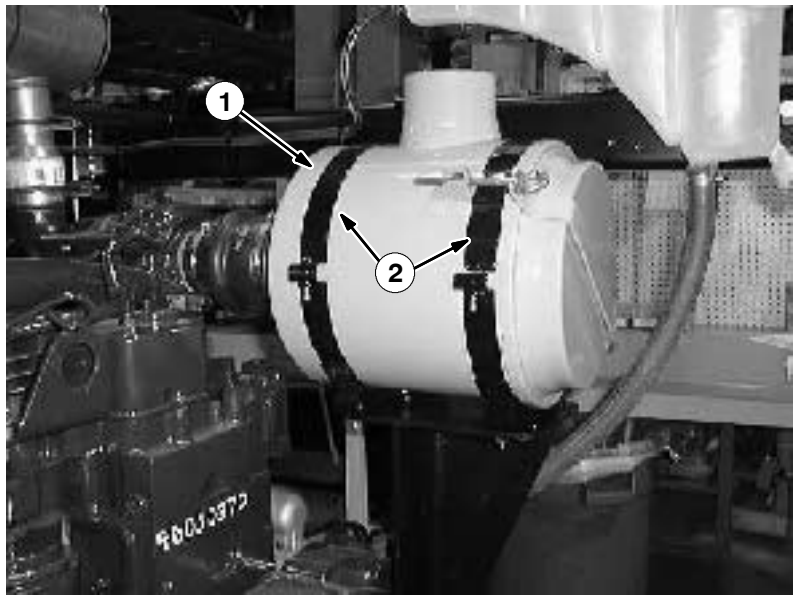
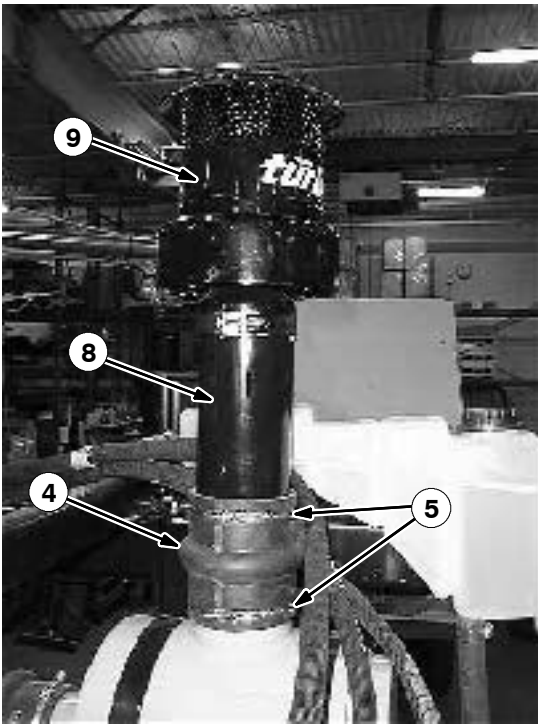
# CUMMINS 4 CYLINDER ENGINE BREAKDOWN

Fig. 3 - Cummins 4 Cyl. Radiator Group

Ref.	Tennant Part No.	Machine Serial Number	Description	Qty.
1	769160	(000000-	) Tube, Water, Upper	1
2	769163	(000000-	) Hose Modification, Radiator, Upper	1
3	769164	(000000-	) Hose, Engine, Upper	1
4	769745	(000000-	) Tube, Radiator, Lower	1
5	769746	(000000-	) Hose, Radiator	1
6	769748	(000000-	) Hose, Radiator	1
7	762178	(000000-	) Guard, Hose, Rubber 3"	1
8	14432	(000000-	) Clamp, Hose, Wormdrive	8
9	C460140	(000000-	) Molding, Trim, 10"	1

# CUMMINS 4 CYLINDER ENGINE BREAKDOWN

Fig. 4 - Cummins 4 Cyl. Air Cleaner Group

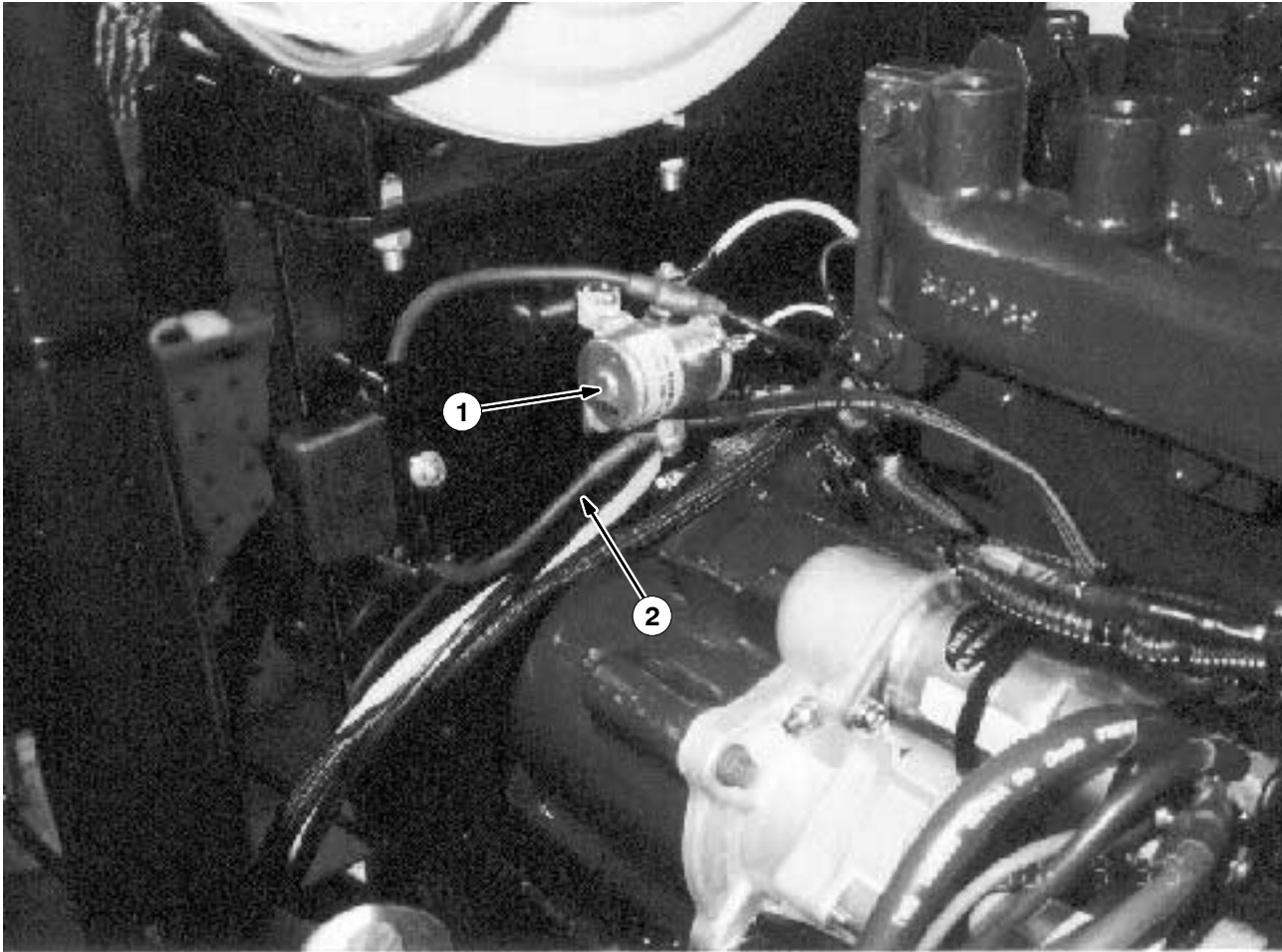


**Fig. 4 - Cummins 4 Cyl. Air Cleaner Group**

<b>Ref.</b>	<b>Tennant Part No.</b>	<b>Machine Serial Number</b>	<b>Description</b>	<b>Qty.</b>
1	769120	(000000-	) Air Cleaner	1
2	310655	(000000-	) Band, Mounting, Air Cleaner, Cat	2
3	769125	(000000-	) Bracket Wldt., Cleaner, Air	1
4	764292	(000000-	) Hump Hose 4"	1
5	770612	(000000-	) Clamp, Spring, 110-120MM	3
6	769141	(000000-	) Hose, Reducer	1
7	310667	(000000-	) Clamp, Spring, 80-90MM	1
8	769144	(000000-	) Tube, Intake 4"	1
9	769483	(000000-	) Filter, Pre-cleaner	1
10	24976	(000000-	) Fitting, Brs, E45	1
11	47566	(000000-	) Fitting, Hyd, Str	1
12	768568	(000000-	) Switch, Vacuum Indicator	1

## CUMMINS 4 CYLINDER ENGINE BREAKDOWN

Fig. 5 - Cummins 4 Cyl. Fuel Solenoid Group



Ref.	Tennant Part No.	Machine Serial Number	Description	Qty.
1	375117	(000000-	) Contactor, 12VDC	1
2	768689	(000000-	) Harness, Fuel Solenoid	1

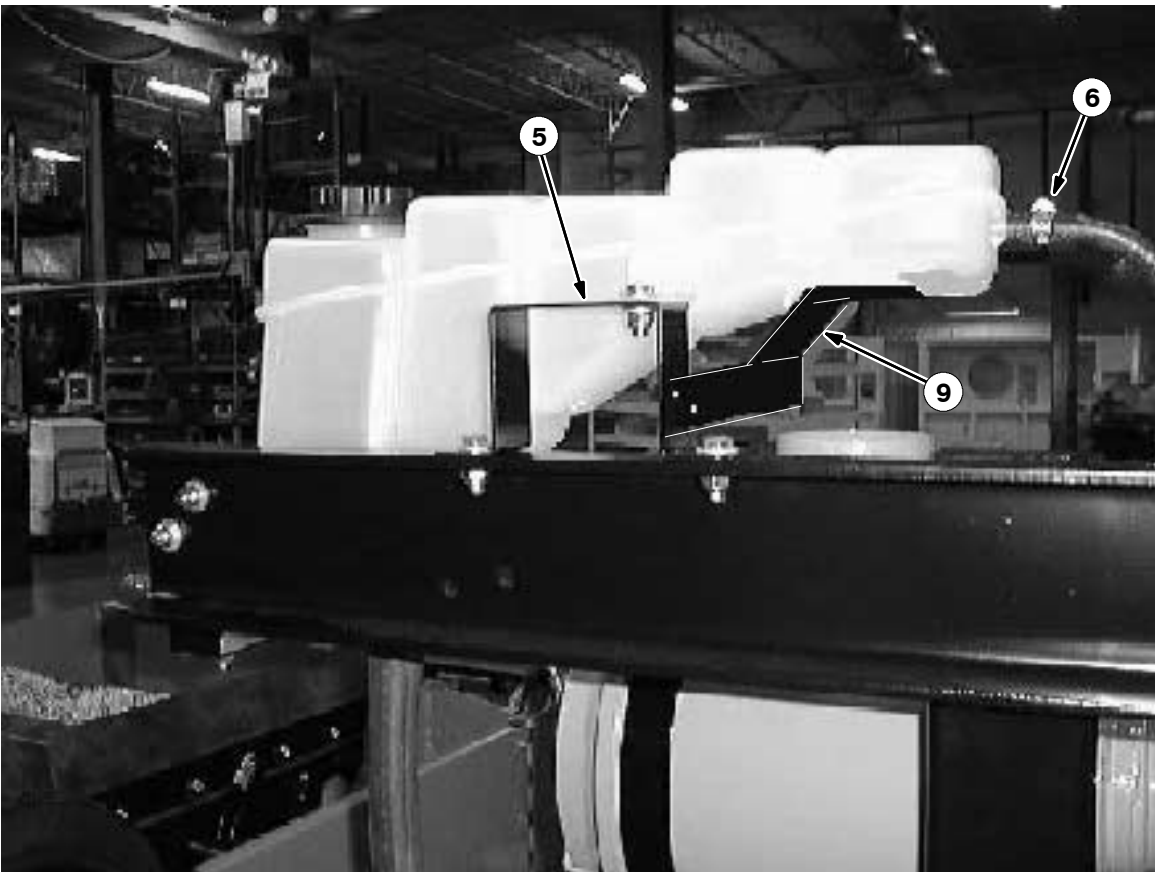
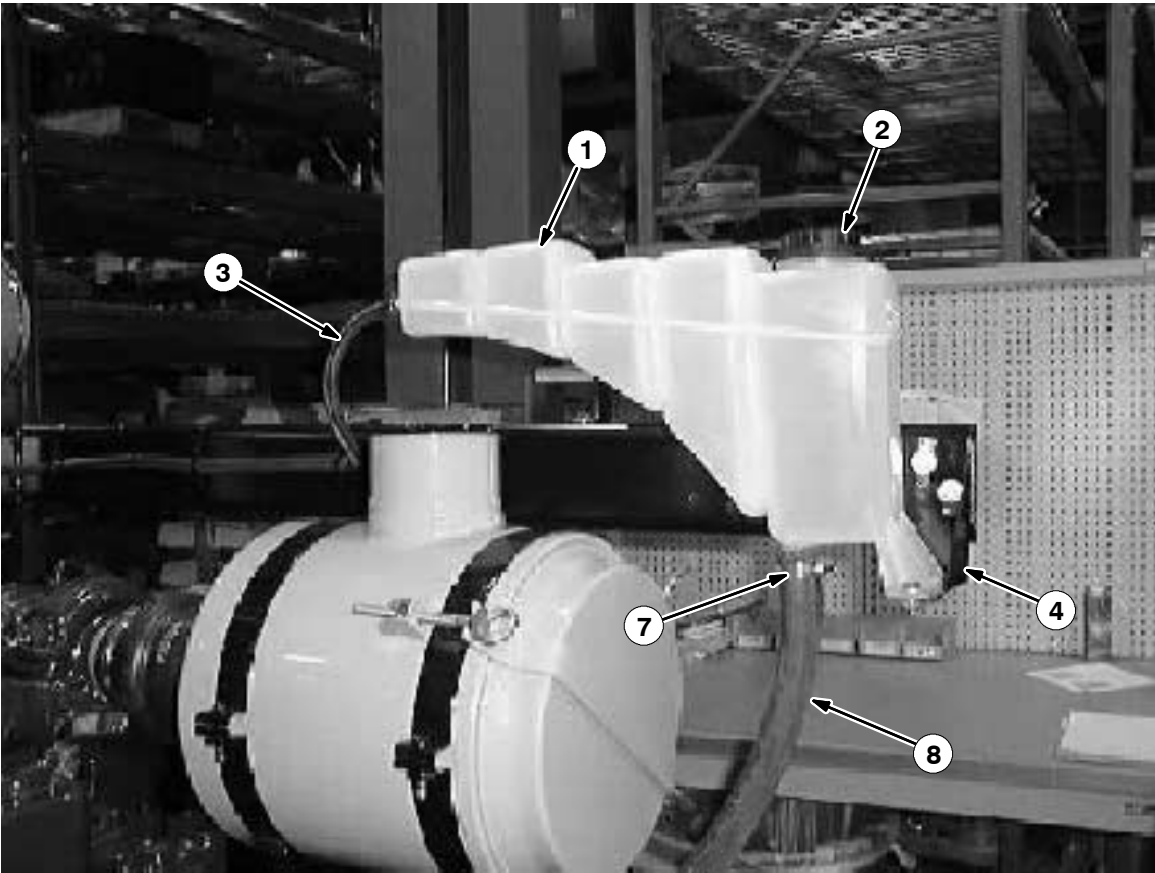
# CUMMINS 4 CYLINDER ENGINE BREAKDOWN

Fig. 6 - Cummins 4 Cyl. Hydraulic Hoses and Fittings Group

Ref.	Tennant Part No.	Machine Serial Number	Description	Qty.
1	762109	(000000-	) Fitting, Special	1
2	762417	(000000-	) Hose, Hyd	1
3	762464	(000000-	) Fitting, Hyd	1
4	762156	(000000-	) Fitting, Hyd, Plug	1
5	769204	(000000-	) Fitting, Hyd, E90	1
6	768877	(000000-	) Fitting, Hyd	1
7	769789	(000000-	) Fitting, Hyd, E45	1
8	769775	(000000-	) Fitting, Hyd	1
9	769260	(000000-	) Fitting, Hyd	1
10	769763	(000000-	) Fitting, Hyd	1
11	769776	(000000-	) Fitting, Vibra-Lok Elbow	1
12	769299	(000000-	) Fitting, Hyd	1
13	769806	(000000-	) Hose, Hyd	1

# CUMMINS 4 CYLINDER ENGINE BREAKDOWN

Fig. 7 - Cummins 4 Cyl. Surge Tank Group

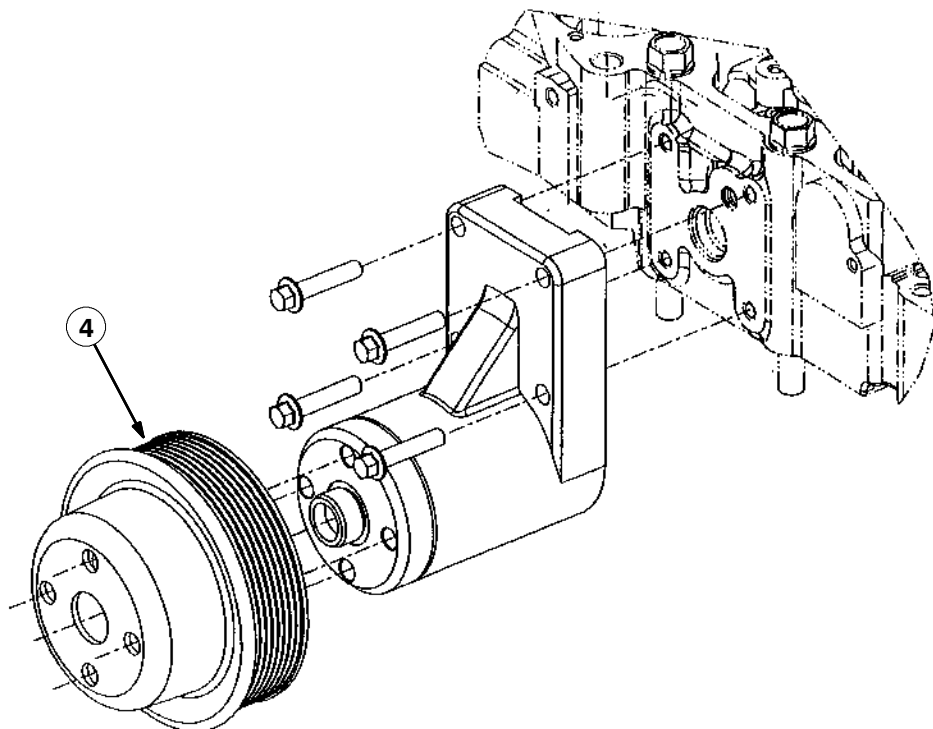
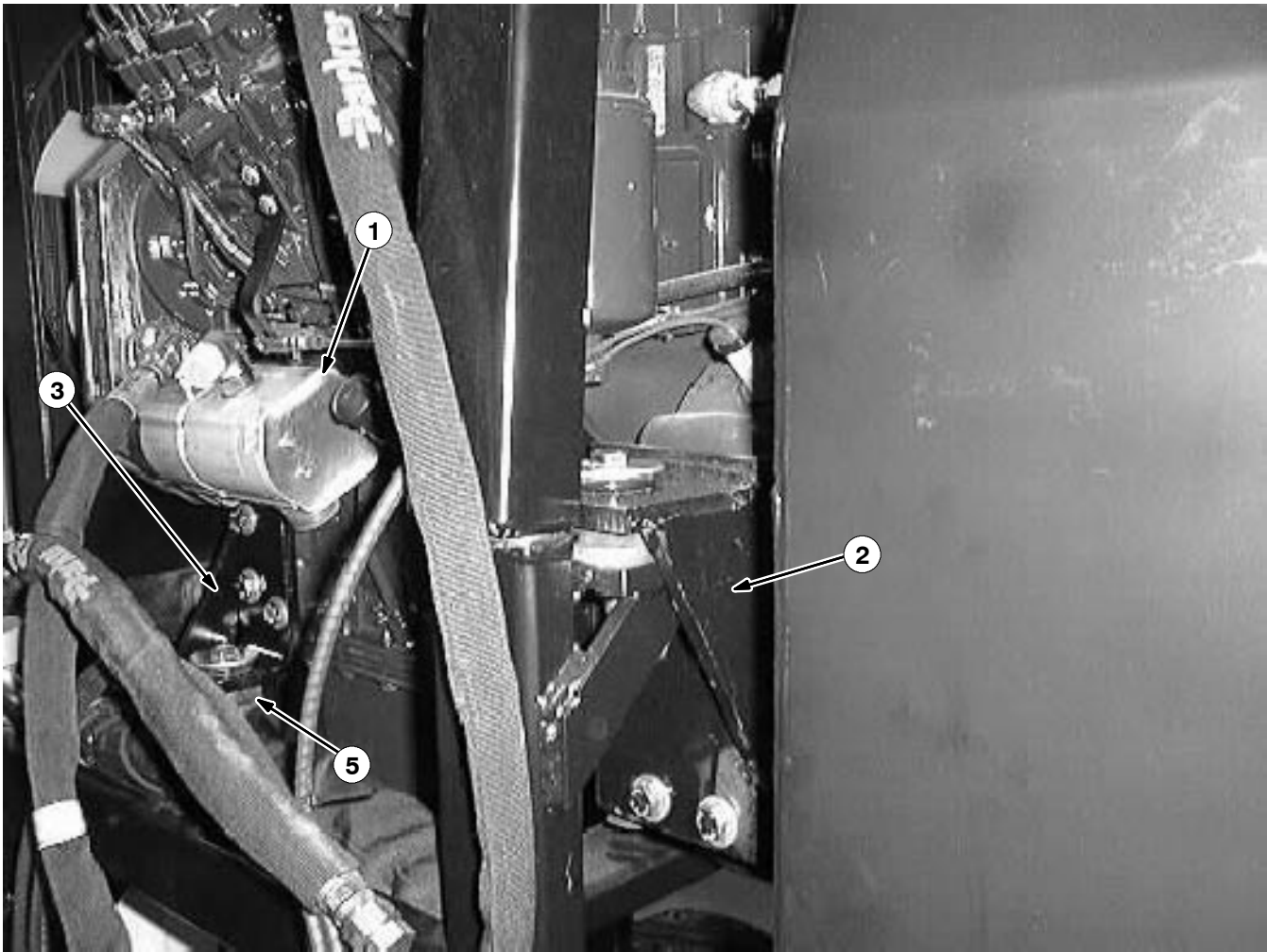


**Fig. 7 - Cummins 4 Cyl. Surge Tank Group**

<b>Ref.</b>	<b>Tennant Part No.</b>	<b>Machine Serial Number</b>	<b>Description</b>	<b>Qty.</b>
1	769464	(000000-	) Tank, Coolant, Expansion	1
2	769329	(000000-	) Cap, Tank, Coolant	1
3	769807	(000000-	) Hose, Tank, Surge	1
4	769780	(000000-	) Bracket, Tank	1
5	769779	(000000-	) Bracket, Tank, Upper	1
6	11399	(000000-	) Clamp	2
7	14432	(000000-	) Clamp	1
8	769792	(000000-	) Hose	1
9	769794	(000000-	) Bracket	1

# CUMMINS 4 CYLINDER ENGINE BREAKDOWN

Fig. 8 - Cummins 4 Cyl. Hydraulic Pump Group





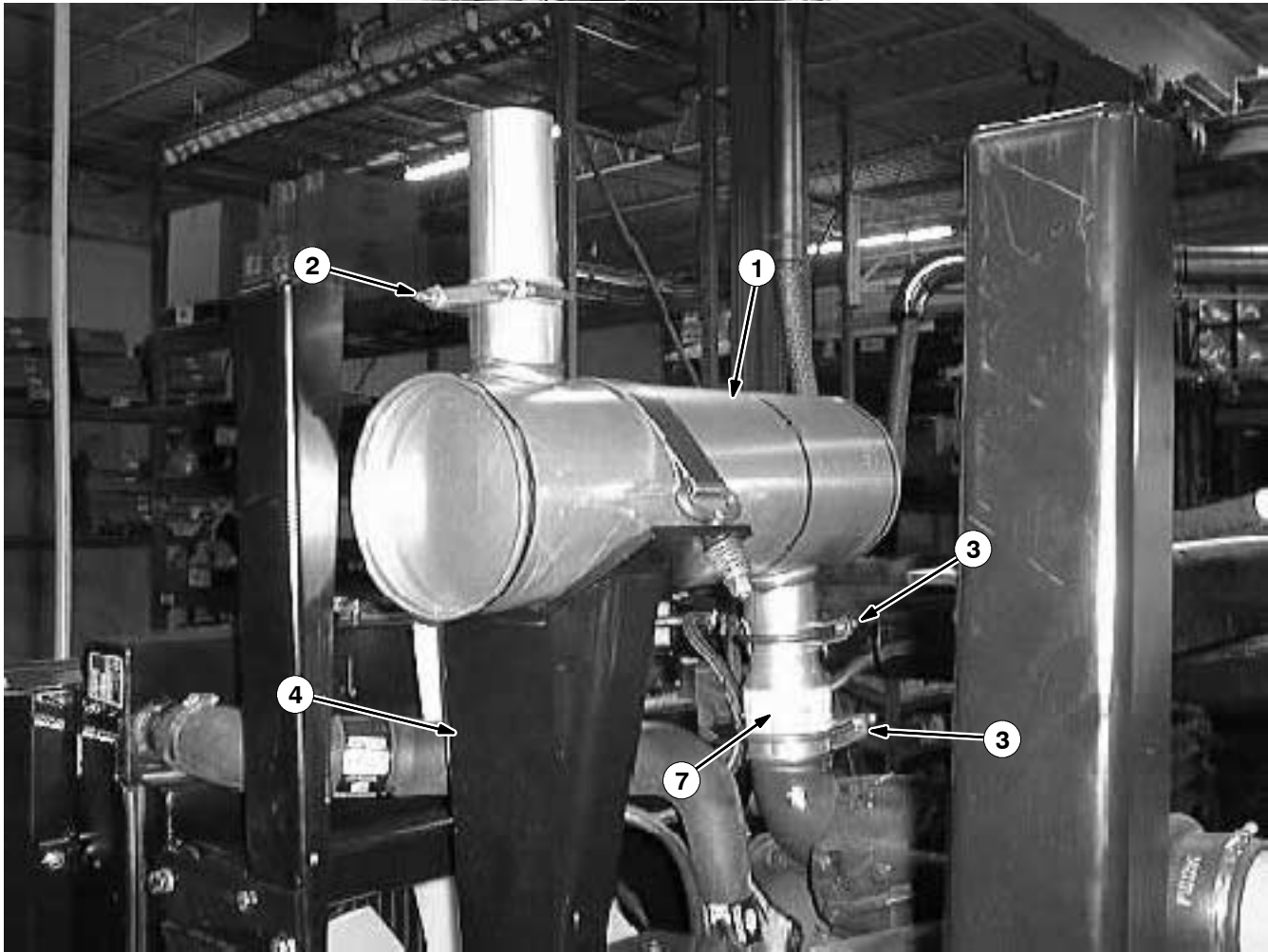
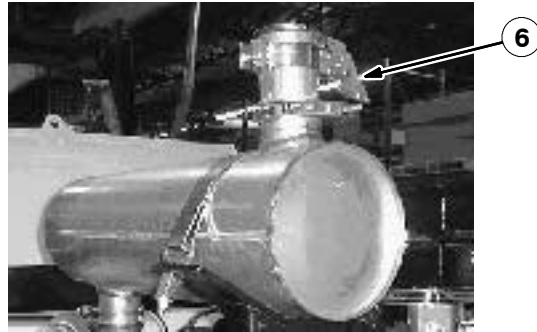
# CUMMINS 4 CYLINDER ENGINE BREAKDOWN

Fig. 8 - Cummins 4 Cyl. Hydraulic Pump Group

Ref.	Tennant Part No.	Machine Serial Number	Description	Qty.
1	769185	(000000-	) Pump, Hydraulic Barnes	1
2	770616	(000000-	) Bracket Wldt., Engine, Front LH	1
3	770618	(000000-	) Bracket Wldt., Engine, Rear LH	1
4	769328	(000000-	) Pulley	1
5	764014	(000000-	) Isolator	1

# CUMMINS 4 CYLINDER ENGINE BREAKDOWN

Fig. 9 - Cummins 4 Cyl. Muffler Group

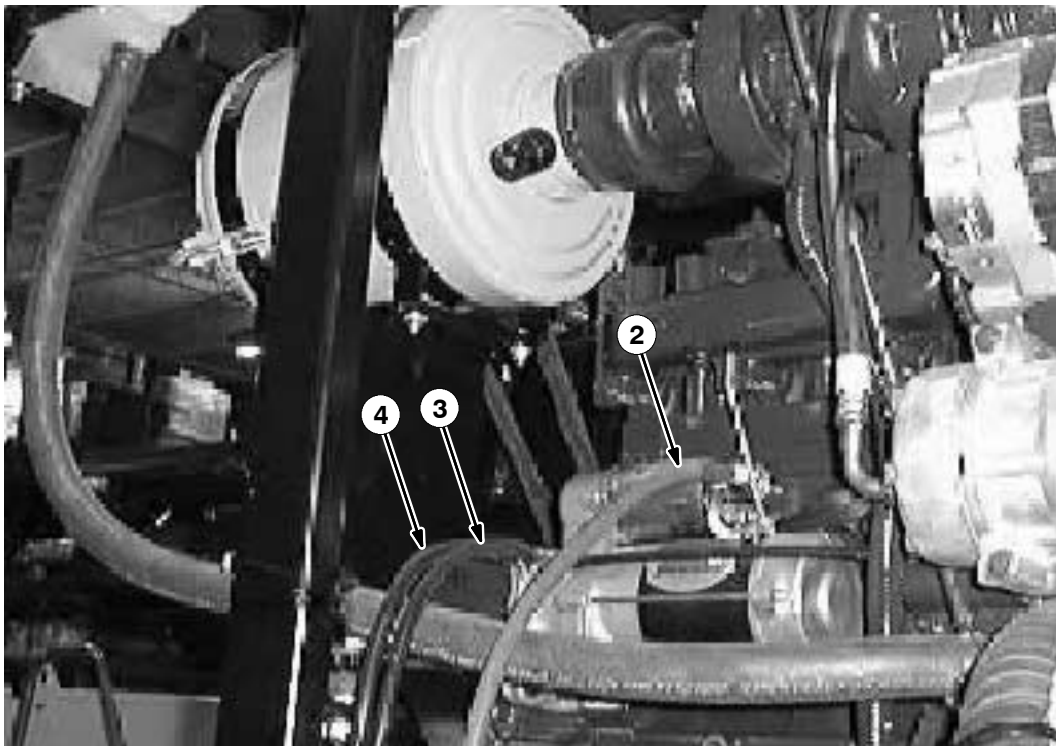


**Fig. 9 - Cummins 4 Cyl. Muffler Group**

<b>Ref.</b>	<b>Tennant Part No.</b>	<b>Machine Serial Number</b>	<b>Description</b>	<b>Qty.</b>
1	764077	(000000-	) Muffler, Exhaust	1
2	769165	(000000-	) Clamp, Muffler, 3.0Dia	3
3	764082	(000000-	) Clamp, Muffler, 2.50Dia	1
4	769127	(000000-	) Bracket Wldt, Muffler	1
5	764123	(000000-	) Pipe, Exhaust	1
6	764120	(000000-	) Cap	1
7	769143	(000000-	) Tube	1

# CUMMINS 4 CYLINDER ENGINE BREAKDOWN

Fig. 10 - Cummins 4 Cyl. Battery Group

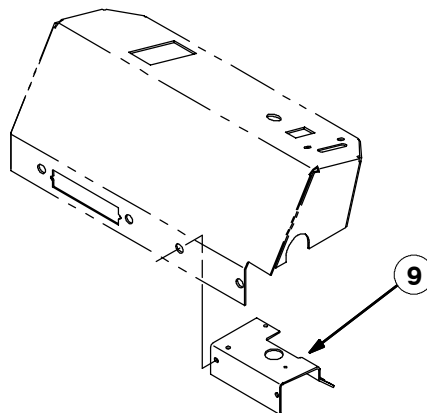
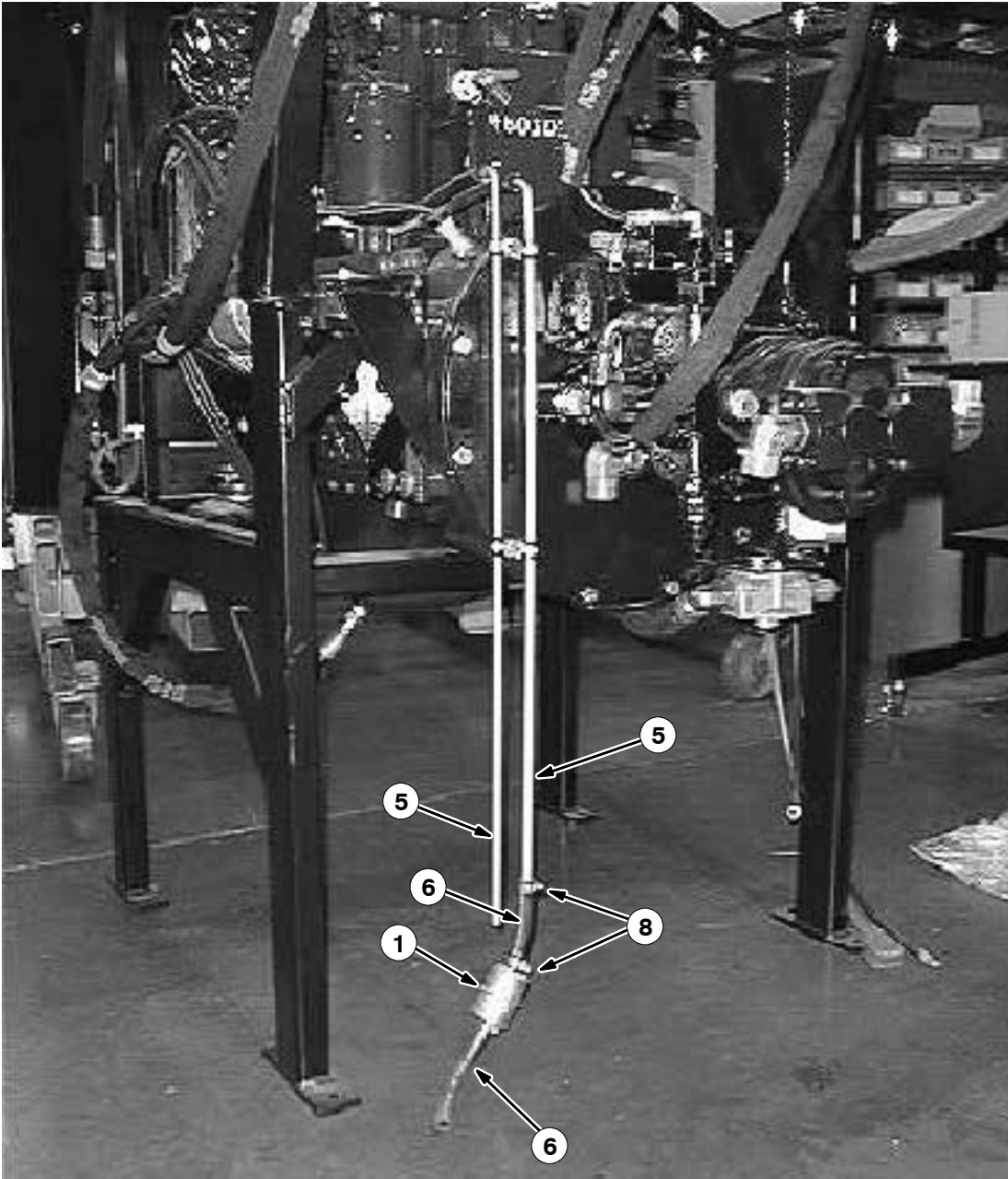


**Fig. 10 - Cummins 4 Cyl. Battery Group**

<b>Ref.</b>	<b>Tennant Part No.</b>	<b>Machine Serial Number</b>	<b>Description</b>	<b>Qty.</b>
1	310580	(000000-	) Battery, 12V, 1000CCA	1
2	762554	(000000-	) Wire Assy., 02GA 48.0L Red	1
3	762556	(000000-	) Wire Assy., 02GA 48.0L BLK	2
4	762558	(000000-	) Wire Assy., 06GA 22.0L BLK	1

# CUMMINS 4 CYLINDER ENGINE BREAKDOWN

Fig. 11 - Cummins 4 Cyl. Fuel lines and Throttle Group



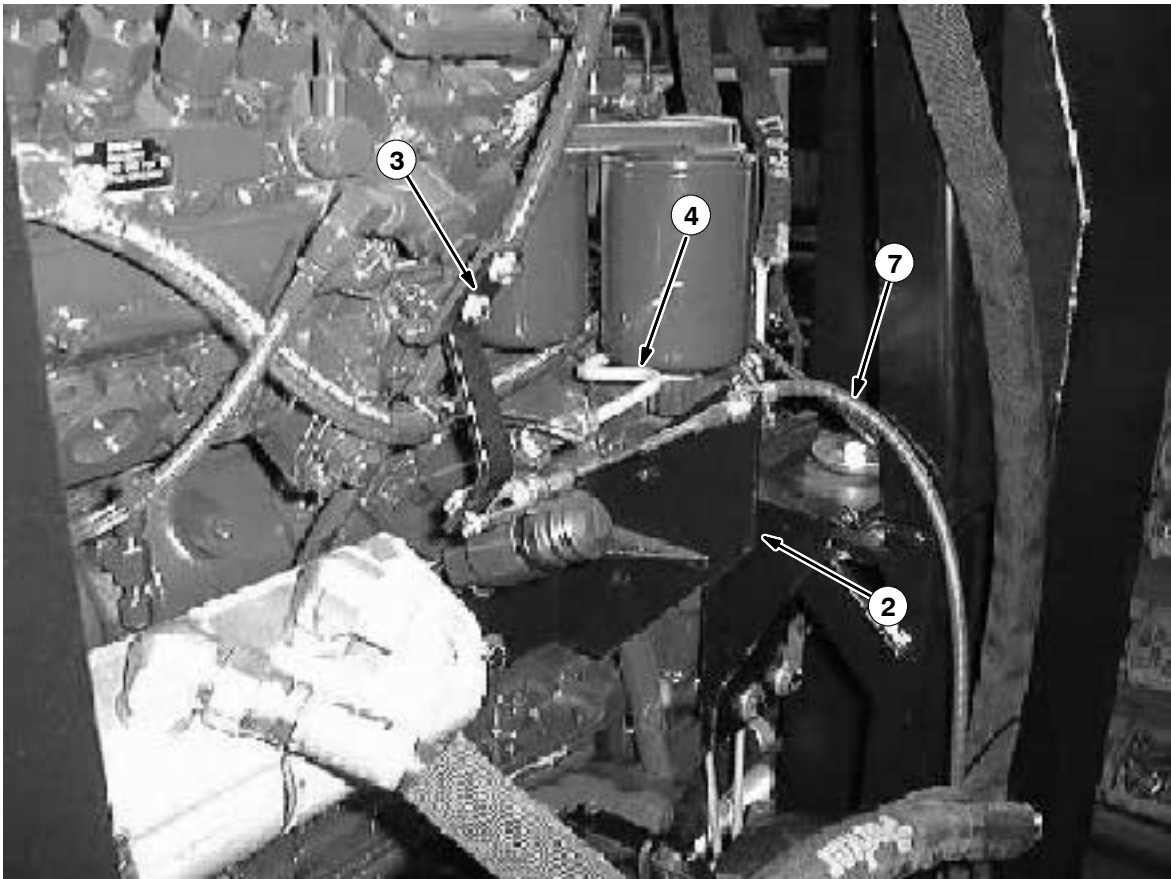
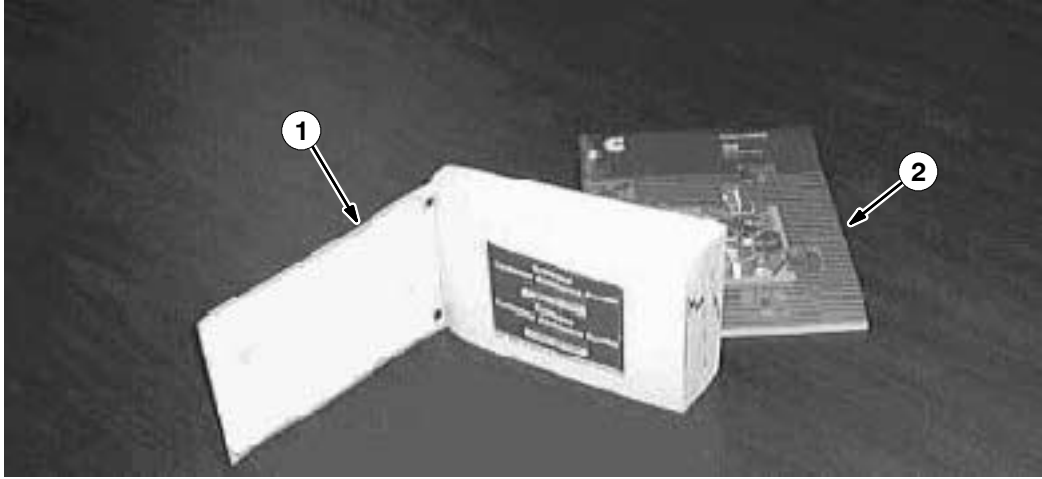


Fig. 11 - Cummins 4 Cyl. Fuel lines and Throttle Group

Ref.	Tennant Part No.	Machine Serial Number	Description	Qty.
1	769786	(000000-	) Filter, Fuel	1
2	769146	(000000-	) Bracket, Throttle, Cable	1
3	769147	(000000-	) Lever, Throttle, Cable	1
4	768874	(000000-	) Tube, Fuel, Pressure Line	1
5	768875	(000000-	) Tube, Modification, Fuel	2
6	768876	(000000-	) Hose, Fuel	1
7	764045	(000000-	) Cable, Engine, Speed	1
8	43844	(000000-	) Clamps	2
9	769172	(000000-	) Bracket, Wldt, Cable, Throttle	1
	768568	(000000-	) Switch, Vacuum Indicator	1

## CUMMINS 4 CYLINDER ENGINE BREAKDOWN

Fig. 12 - Cummins 4 Cyl. Documentaion Group





# CUMMINS 4 CYLINDER ENGINE BREAKDOWN

Fig. 12 - Cummins 4 Cyl. Documentation Group

<b>Ref.</b>	<b>Tennant Part No.</b>	<b>Machine Serial Number</b>	<b>Description</b>	<b>Qty.</b>
1	769008	(000000-	) Operation Manual, Cummins 4 Cyl. Engine	1
2	769009	(000000-	) Parts Catalog, Cummins 4 Cyl. Engine	1

## CUMMINS 4 CYLINDER ENGINE BREAKDOWN

---